

# BE Series

## Power push button switch

- Directly ON/OFF the power of compact size electric motor
- Exposed type / flush mounted type, plastic / cold rolled steel case
- 3 buttons electric motor switch (Forward, reverse and stop buttons)
- Waterproof type and frame retardancy ABS plastic case



### Specification

Type		Number of polarities	Rated capacity	Connecting terminal	Indicating alphabet (button color)	Case material
Standard type	BE 230	3P	440 V a.c 30 A	M5	ON (Black) OFF (Red)	Cold rolled steel
Water proof type	BEW 215	3P	440 V a.c 15 A	M4	ON (Black)	Frame retardancy ABS
	BEW 230	3P	440 V a.c 30 A	M5	OFF (Red)	
	BEWT 215	3P	440 V a.c 15 A	M4	ON (Black) OFF (Red)	
	BEWT 315	3P	440 V a.c 15 A	M4	FOR (Black) STOP (Red) REV (Black)	


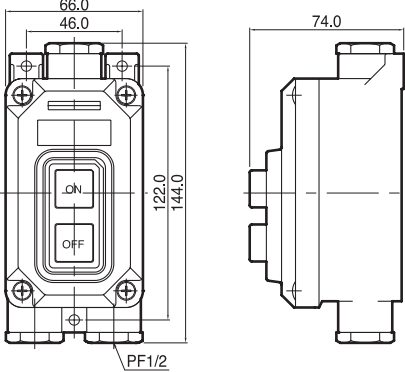
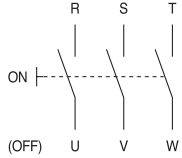

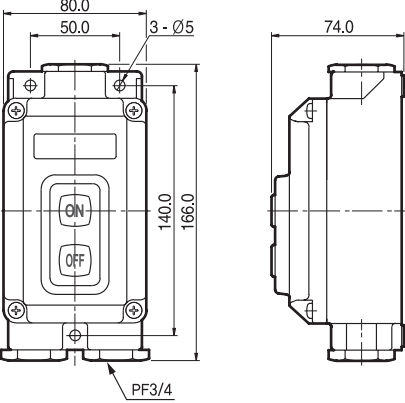
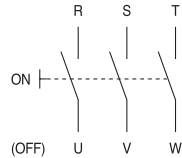
※ When using as the waterproof type, please use a proper cable bushing

### Dimension (unit : mm)

#### ■ Push button switch

Appearance	Dimension	Rating and contact composition
<p>BE 230</p>		<p>3P, 440 V 30 A</p>

■ Waterproof type push button switch

Appearance	Dimension	Rating and contact composition
 <p>BEW 215</p>		<p>3P, 440 V 15 A</p> 
 <p>BEW 230</p>		<p>3P, 440 V 30 A</p> 

Control switch  
Combination display light


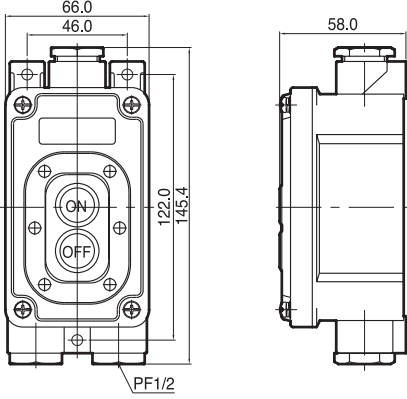
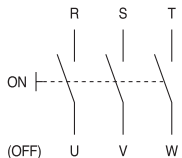
Power switch  
Main switch  
Cam switch

Limit switch  
Micro switch

Hoist switch  
Foot switch  
Mono lever switch

Sign tower  
Signal light

■ Waterproof type push button switch


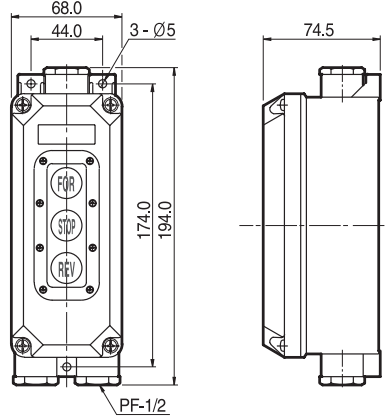
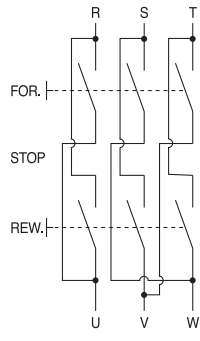
Appearance	Dimension	Rating and contact composition
 <p>BEWT 215</p>		<p>3P, 440 V 15 A</p> 

Buzzer  
Terminal block  
Fuse holder

Control box  
Cable connector

Discontinued Products

■ Waterproof type forward / reverse switch

Appearance	Dimension	Rating and contact composition
 <p>BEWT 315</p>		<p>3P, 440 V 15 A</p> 

⊙ Example of connection

■ Forward / reverse switch (model: BEWT-315) connection example

• Single phase condenser running type motor

• Three phases single voltage (3 wires) motor

